

## Premium Duty Spring Retractable Reels

**Air/Water/Oil/Grease** - 3/8", 1/2", 3/4", 1" I.D.

- Dual pedestal base and guide arm design are structurally reinforced
- Five-in-one, heat-treated aluminum casting incorporates main shaft, ratchet, spring arbor, and inlet/outlet plumbing in one-piece casting
- Containerized spring assembly provides safer and easier handling during maintenance
- Two sealed ball bearings for smooth rotation of main shaft



82100 OLP

### Additional Series 80000 / D80000 Models

- Twin Hydraulic** - Page 17
- Stainless Steel** - Page 19
- Fuel/DEF** - Page 20-21
- Pressure Wash** - Page 22
- Garden Reels** - Page 23
- Welding Gas** - Page 33
- Welding Cable** - Page 34

**NEW!**  
**Reel Covers**

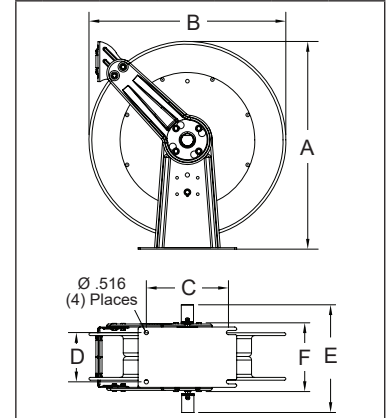
See page 36



Model with hose & bumper	Shipping Weight		Hose I.D.		Hose O.D.		Hose Length		Max Pressure		NPT(M) Hose Outlet	NPT(F) Reel Inlet	NPT(F) Reel Outlet	Size Index #
	lbs	kg	in	mm	in	mm	ft	m	psi	bar	in	in	in	
<b>Low Pressure Air/Water Reels</b> Maximum Temperature 150 °F (65 °C) Max working pressure is at 70 °F (20 °C)														
81075 OLP	76	34	3/8	10	.600	15	75	23	300	21	3/8	1/2	1/2	1
81100 OLP	82	37	3/8	10	.600	15	100	30	300	21	3/8	1/2	1/2	1
82075 OLP	87	39	1/2	13	.750	19	75	23	300	21	1/2	1/2	1/2	1
<b>82100 OLP</b> ★	95	43	1/2	13	.750	19	100	30	300	21	1/2	1/2	1/2	1
<b>83050 OLP</b> ★	88	40	3/4	19	1.075	27	50	15	250	17	3/4	3/4	3/4	1
<b>D83075 OLP</b> ★	102	46	3/4	19	1.075	27	75	23	250	17	3/4	3/4	3/4	2
<b>D84050 OLP</b>	103	47	1	25	1.375	35	50	15	250	17	3/4	1	1	3
<b>Medium Pressure Oil Reels</b> Maximum Temperature 210 °F (99 °C)														
82075 OMP	101	46	1/2	13	.850	22	75	23	2000	138	1/2	1/2	1/2	1
82100 OMP	109	49	1/2	13	.850	22	100	30	3000	207	1/2	1/2	1/2	1
83050 OMP	98	44	3/4	19	1.188	30	50	15	1250	86	3/4	3/4	3/4	1
<b>D84050 OMP</b>	122	55	1	25	1.400	36	50	15	1275	88	1	1	1	3
<b>High Pressure Grease Reels</b> Maximum Temperature 210 °F (99 °C)														
81100 OHP	127	58	3/8	10	.730	19	100	30	4800	331	3/8	3/8	3/8	1

Low pressure reels supplied with PVC hose. Medium pressure reels supplied with S.A.E. 100R17 (1/2") or S.A.E. 100R1 (3/4" and 1") one wire braid hose. High pressure reels supplied with S.A.E. 100 R2T two wire braid hose.

	Dimensions - Size Index					
	1		2		3	
	in	mm	in	mm	in	mm
<b>A</b>	25 <sup>3</sup> / <sub>8</sub>	645	25 <sup>3</sup> / <sub>8</sub>	645	25 <sup>3</sup> / <sub>8</sub>	645
<b>B</b>	24	610	24	610	24	610
<b>C</b>	10	254	10 <sup>1</sup> / <sub>2</sub>	267	10 <sup>1</sup> / <sub>2</sub>	267
<b>D</b>	6	152	7 <sup>7</sup> / <sub>8</sub>	200	7 <sup>7</sup> / <sub>8</sub>	200
<b>E</b>	10 <sup>1</sup> / <sub>2</sub>	267	13	330	15 <sup>3</sup> / <sub>4</sub>	400
<b>F</b>	8 <sup>1</sup> / <sub>8</sub>	206	10 <sup>3</sup> / <sub>8</sub>	264	10 <sup>3</sup> / <sub>8</sub>	264



Model without hose & bumper	Shipping Weight		Hose Capacity			Max Pressure	NPT(F) Reel Inlet	NPT(F) Reel Outlet	Size Index #				
	lbs	kg	I.D.	O.D.	Length								
<b>Low Pressure Air/Water Reels</b> Maximum Temperature 210 °F (99 °C)													
81000 OLP	77	35	3/8	10	.600	15	100	30	500	35	1/2	1/2	1
82000 OLP	82	37	1/2	13	.750	19	100	30	500	35	1/2	1/2	1
83000 OLP	77	35	3/4	19	1.075	27	50	15	500	35	3/4	3/4	1
<b>D83000 OLP</b>	83	38	3/4	19	1.075	27	75	23	500	35	3/4	3/4	2
<b>D84000 OLP</b>	91	41	1	25	1.375	35	50	15	500	35	1	1	3
<b>Medium Pressure Oil Reels</b> Maximum Temperature 210 °F (99 °C)													
82000 OMP	82	37	1/2	13	.850	22	100	30	3000	207	1/2	1/2	1
83000 OMP	84	38	3/4	19	1.188	30	50	15	1500	103	3/4	3/4	1
<b>High Pressure Grease Reels</b> Maximum Temperature 210 °F (99 °C)													
81000 OHP	85	39	3/8	10	.730	19	100	30	5000	345	3/8	3/8	1



**Interactive Reel Catalog**

Visit [reelcraft.com/catalog](http://reelcraft.com/catalog) for complete product specifications, parts, and accessories.

Models with a ★ icon are our most popular models.



**Pivot Bases & Swing Brackets**

See page 39